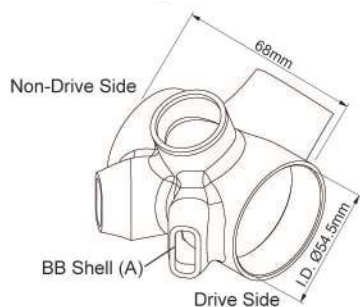


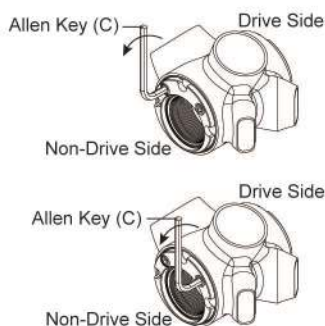
Instruction Manual for P220A

Assembly:

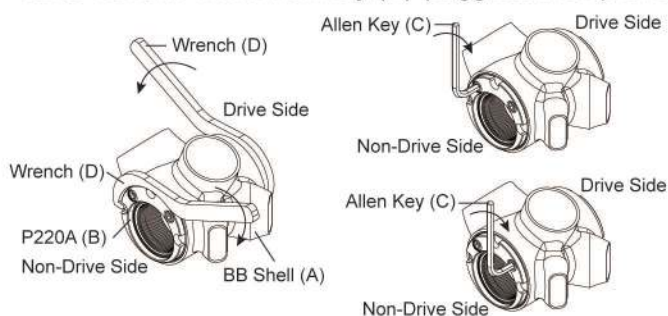
1. Make sure the I.D. of the BB Shell (A) is $\Phi 54.5\text{mm}$ and width is 68mm. Clean the inner hole of the BB Shell and make sure there is no grease before assembly.



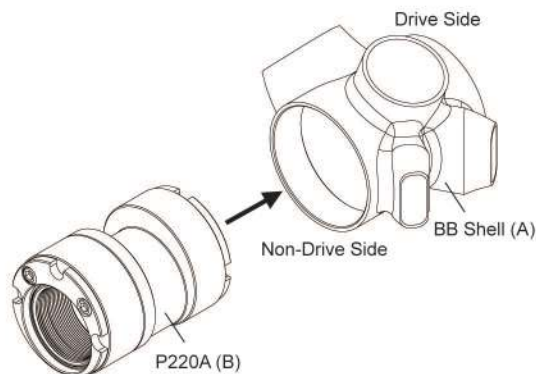
3. Counterclockwise loosen the two bolts with the 4mm Allen Key (C).



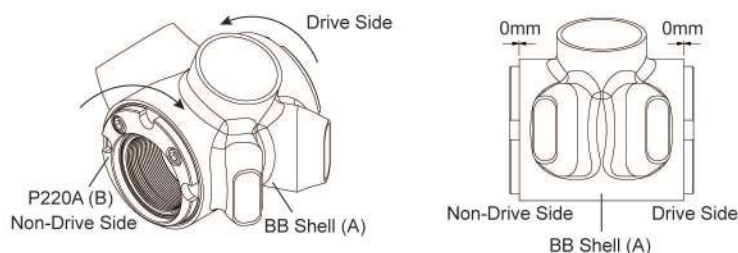
5. Clockwise tighten P220A (B) from two sides of the BB Shell (A) with two wrenches (D) at the same time (suggested torque: 46 Nm). Clockwise tighten the two bolts with the 4mm Allen Key (C) (suggested torque: 8.8 Nm).



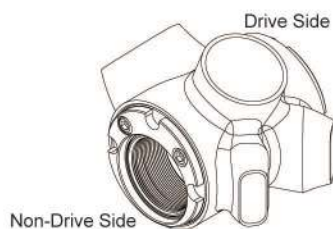
2. Put P220A (B) into the BB Shell (A).



4. Clockwise tighten P220A (B) from both sides of the BB Shell (A) by hand and make sure both sides of P220A (B) are firmly close to the end surface of the BB Shell (A).

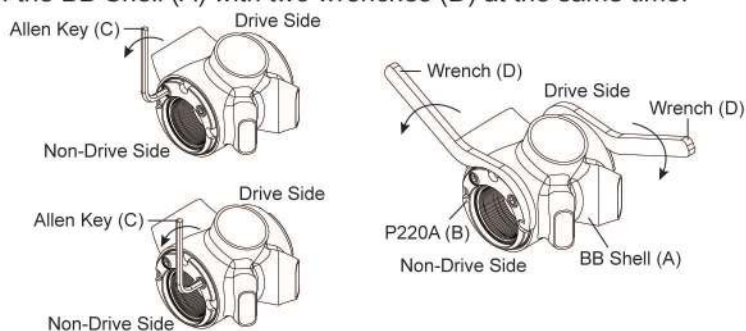


6. Assembly is completed.

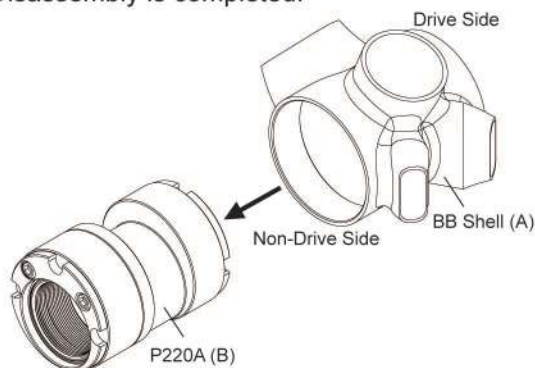


Disassembly:

1. Counterclockwise loosen the two bolts with the 4mm Allen Key (C). Counterclockwise loosen P220A (B) from two sides of the BB Shell (A) with two wrenches (D) at the same time.



2. Disassembly is completed.



Notes: 1. This product is compatible with Alloy Aluminum BB shell which is not suggested to be used for carbon BB shell.

2. After all the parts are tightened and fixed, please also periodically maintain your bike and check if any part gets loose for riding safety.