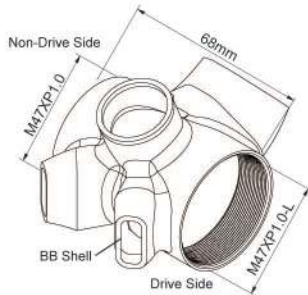
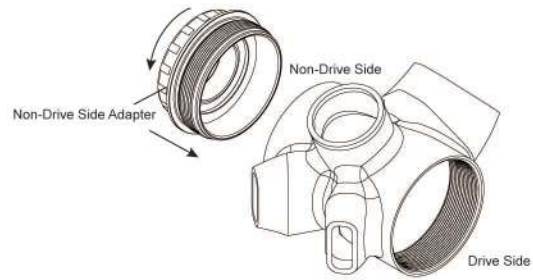


# Instruction Manual for M47S/M47SP/M47ES

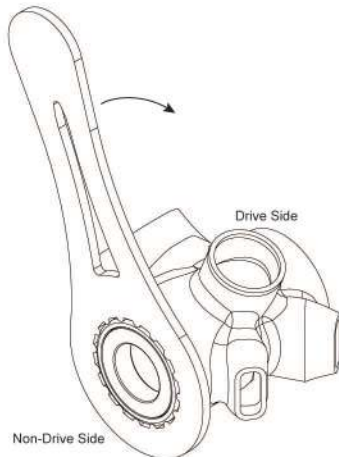
1. Make sure the BB shell width & thread are correct.  
Clean the inner hole of the BB shell before assembly.



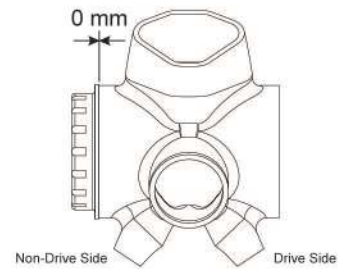
2. Clockwise install the non-drive side adapter into the BB shell by hand.



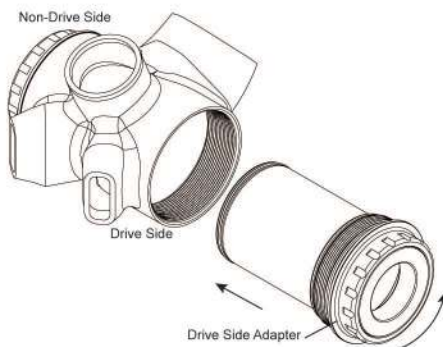
3. Clockwise tighten the non-drive side adapter by wrench.  
The suggested tightening torque is 35~45Nm.



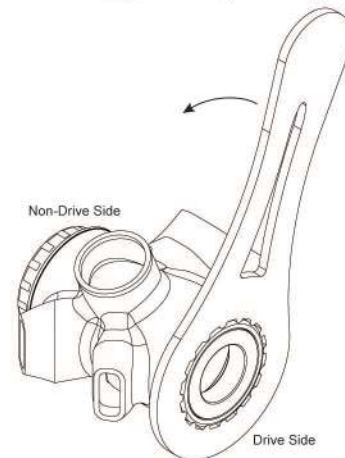
4. Have a visual check to make sure the adapter was positioned correctly.



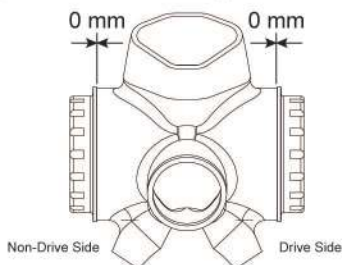
5. Counterclockwise install the drive side adapter into the BB shell by hand.



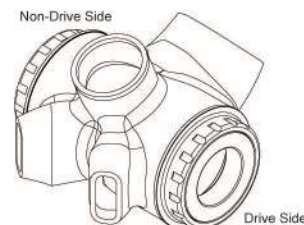
6. Counterclockwise tighten the drive side adapter by wrench. The suggested tightening torque is 35~45Nm.



7. Have a visual check to make sure the adapter was positioned correctly.



8. Assembly is completed.



## Notes:

1. M47ES is the eco version, without sleeve.
2. Follow the reverse steps to proceed the disassembly.
3. After all the parts are tightened and fixed, please also periodically maintain your bike and check if any part gets loose for riding safety.