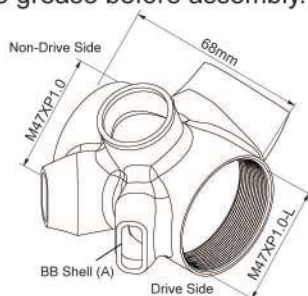
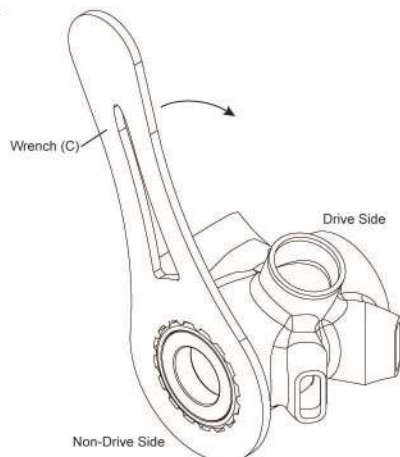


Instruction Manual for M4768/M4768P/M4768E

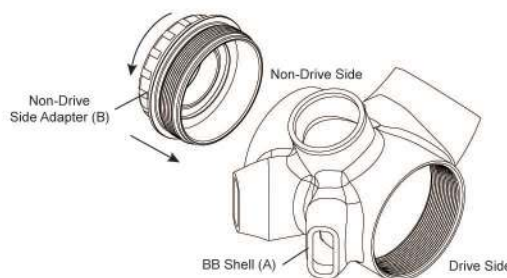
1. Make sure the BB Shell (A) width & thread are correct. Clean the inner hole of the BB Shell and make sure there is no grease before assembly.



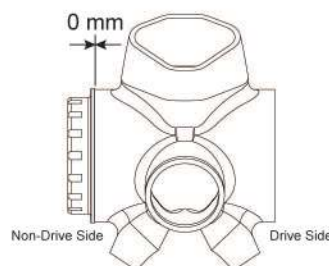
3. Clockwise tighten the Non-Drive Side Adapter by Wrench (C). The suggested tightening torque is 35~45Nm.



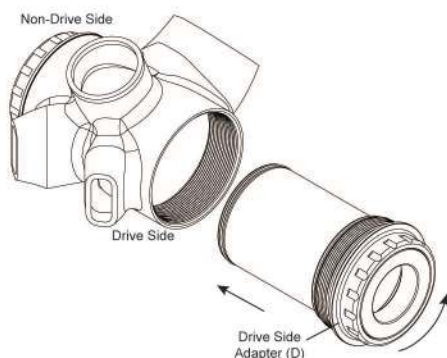
2. Clockwise install the Non-Drive Side Adapter (B) into the BB Shell by hand.



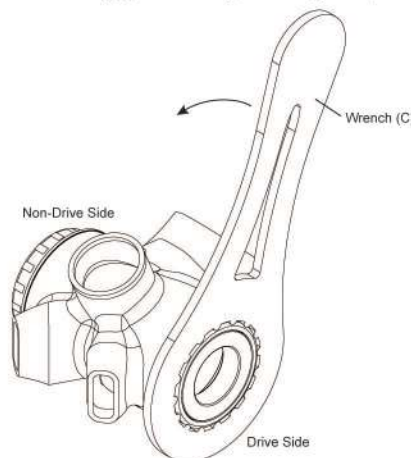
4. Have a visual check to make sure the adapter was positioned correctly.



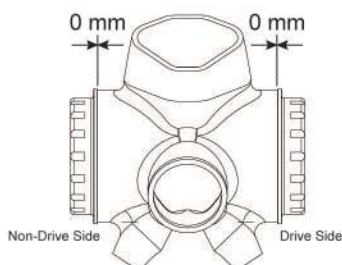
5. Counterclockwise install the Drive Side Adapter (D) into the BB Shell by hand.



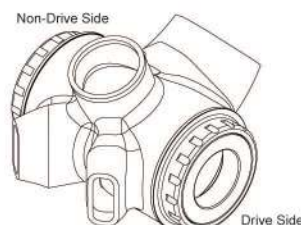
6. Counterclockwise tighten the Drive Side Adapter by Wrench. The suggested tightening torque is 35~45Nm.



7. Have a visual check to make sure the adapter was positioned correctly.



8. Assembly is completed.



Notes:

1. M4768E is the eco version, without sleeve.
2. Follow the reverse steps to proceed the disassembly.
3. After all the parts are tightened and fixed, please also periodically maintain your bike and check if any part gets loose for riding safety.