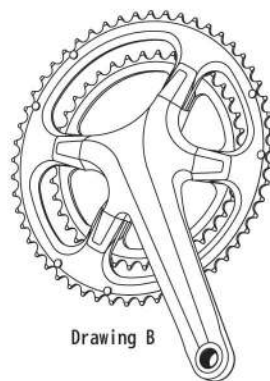
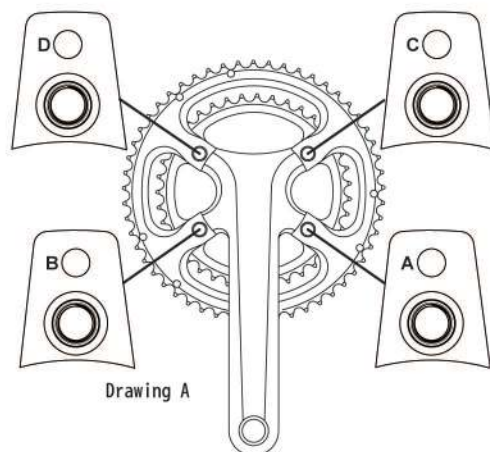
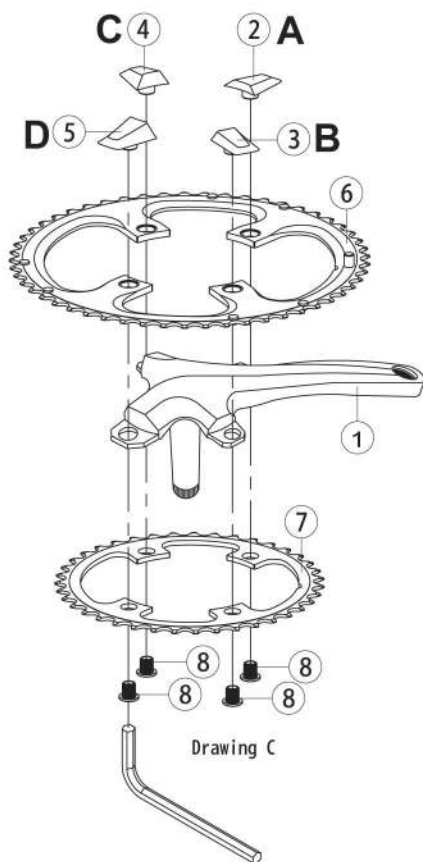


Instruction Manual for Gear Fixing Parts KT-4P

Classic . Graceful . Perfect
High Performance



Assembly Instruction:

- Step 1: Have visual check if the gear fixing parts are separately marked with A, B, C, and D as Drawing A shows.
- Step 2: Assemble Shimano 105 spider crank (1) with the big chainring (6) from below of the big chainring according to the corresponding positions of the four bolt holes. Then, assemble the small chainring (7) and four gear fixing parts, A (2), B (3), C (4), and D (5) according to the positions as Drawing C shows.
- Step 3: Assemble the four M8 gear fixing bolts from below of the small chainring (7) and separately screw them together with the gear fixing parts, A (2), B (3), C (4), and D (5). Then, tighten the four M8 gear fixing bolts with 5mm Allen key. (Suggested tightening torque: 12-16 Nm.)
- Step 4: Assembly is completed. (Drawing B)