

# Assembly Manual for KT Road Bike Crankset

Classic . Graceful . Perfect  
High Performance

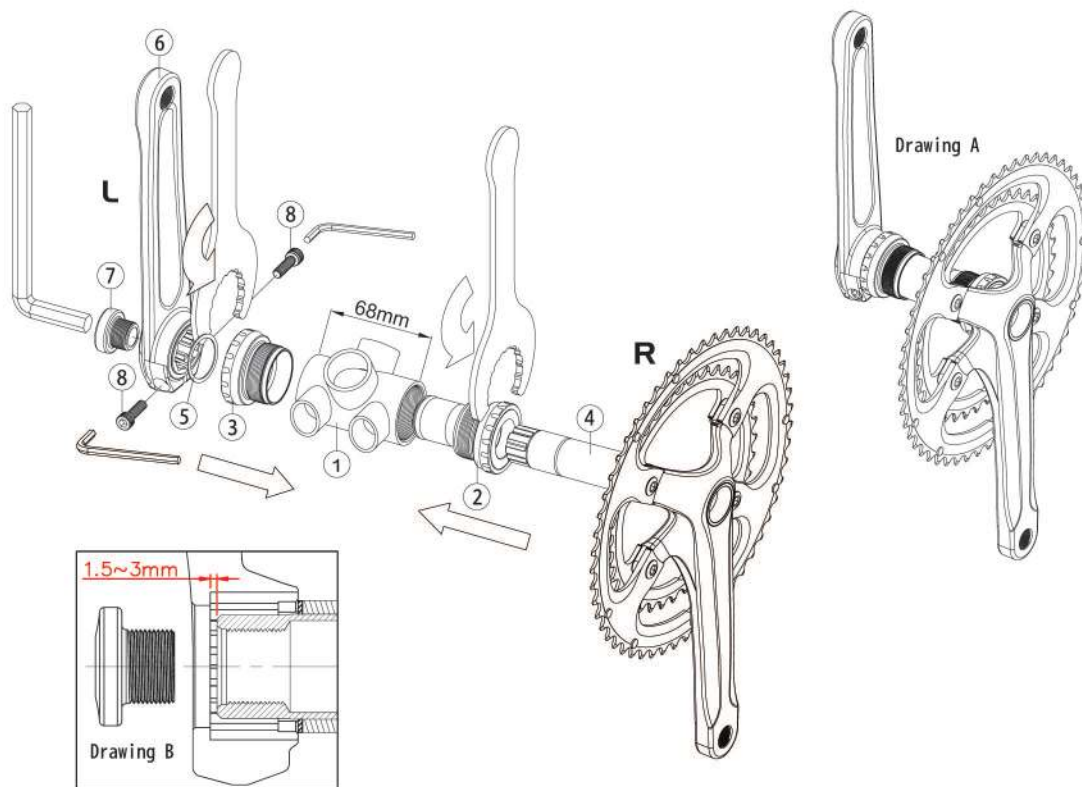


## Technical Instructions:

- Step 1. Apply grease to the threads inside the BB shell of the frame ①.
- Step 2. Install the drive side (R) adapter ② with sleeve (counterclockwise thread) by special external BB cup spline tool to tighten with suggested torque 35~45Nm.
- Step 3. Install the non-drive side (L) adapter ③ (clockwise thread) by special external BB cup spline tool to tighten with suggested torque 35~45Nm.
- Step 4. Insert the four-arm right crank set ④ smoothly into the bottom bracket set and make it lean against to the end surface.
- Step 5. Put the spacer ⑤ onto the axle and install the corresponding hole of left crank ⑥ to the spline end of right crank set.
- Step 6. Screw the fixing bolt ⑦ into the hole of spindle of right crank set with a 10mm Allen key and make sure the crank set is close and even to the bottom bracket set. Suggested tightening torque is 1.5Nm (Max.). (If the crank set is not close and even to the bottom bracket set, add more spacers according to the space).
- Step 7. Use 5mm Allen key to tighten separately 2 bolts ⑧ evenly and equally. (Suggested tightening torque is 12~15Nm).
- Step 8. Assembly is completed. (Drawing A)

Remark: The axle length is 132mm.

- Note :
1. There should be proper space (around 1.5~3mm) between axle and the left crank. If the space is too small, please add 1mm spacer to make it to the safe space (like Drawing B).
  2. Be sure to tighten the fixing bolt ⑦ (Step 6.) first. Then tighten the 2 bolts ⑧ (Step 7.). The Assembly order is important and can not be reverse.
  3. Follow the reverse order to proceed the disassembly. Please don't knock or hammer the four-arm right crank set. The parts might be damaged and the axle might get loose or even fall off.



No. 45, Kung 9th Rd., Rinan Vil., Tachia Dist., Taichung 43769, Taiwan

TEL: +886-4-26815039 FAX: +886-4-26815917

sales@firstcomponents.com www.firstcomponents.com